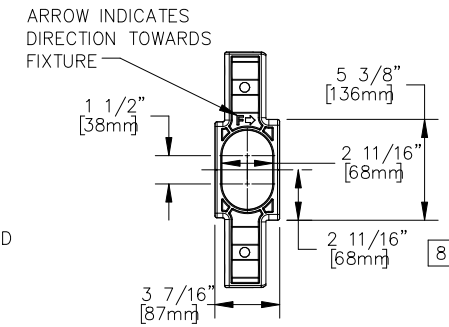
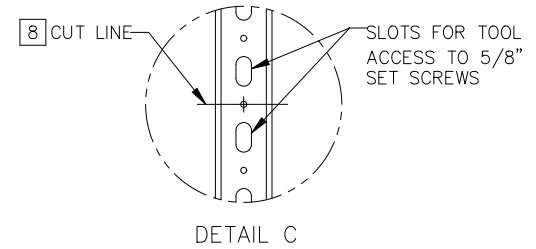
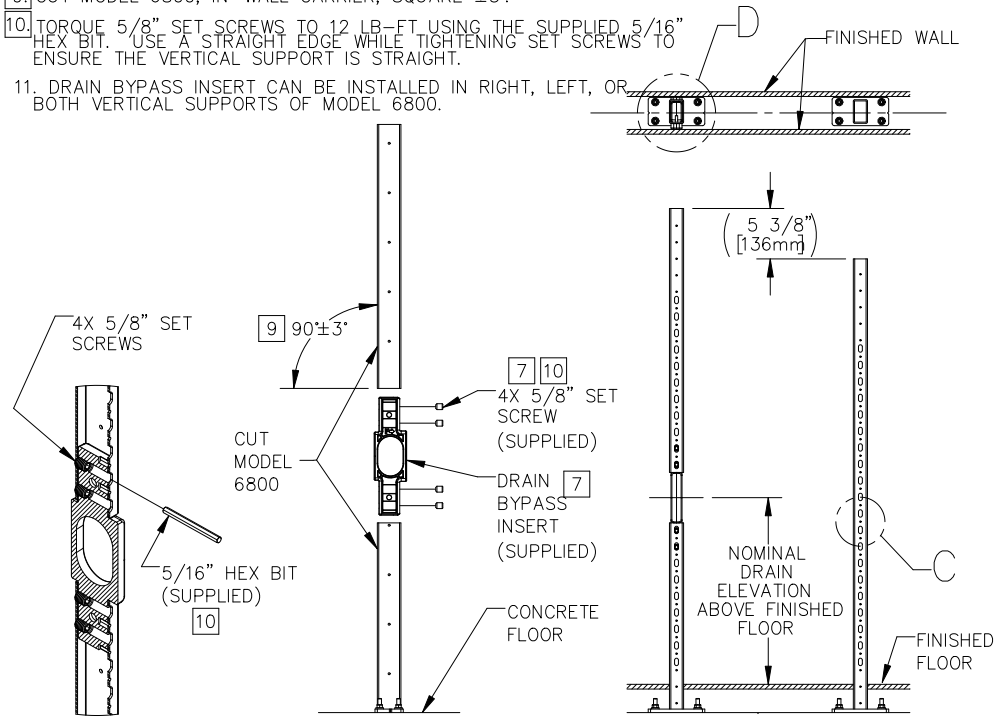
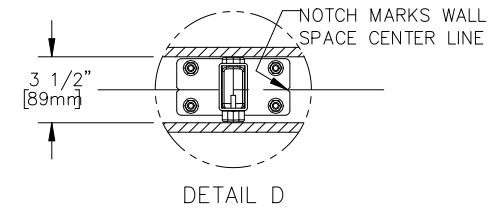


THIS DOCUMENT IS TRUE AND CORRECT AT TIME OF PUBLICATION. CONTINUED PRODUCT IMPROVEMENTS MAKE SPECIFICATIONS AND MEASUREMENTS SUBJECT TO CHANGE WITHOUT NOTICE.

(NOTES FOR MODELS 6810 & 6810W)

7. HAWS MODEL 6810W, DRAIN BYPASS INSERT, IS USED TO ALLOW LATERAL DRAIN INSTALLATION IN NARROW WALL CAVITIES SUCH AS 2X4 WALLS.
8. CUT MODEL 6800, IN-WALL CARRIER, ROUGHLY $2 \frac{11}{16}$ " BELOW DESIRED NOMINAL DRAIN ELEVATION THROUGH THE CENTER OF THE CLOSEST $.170$ " DIA. HOLE $\pm 1/8$ ".
9. CUT MODEL 6800, IN-WALL CARRIER, SQUARE $\pm 3^\circ$.
10. TORQUE $5/8$ " SET SCREWS TO 12 LB-FT USING THE SUPPLIED $5/16$ " HEX BIT. USE A STRAIGHT EDGE WHILE TIGHTENING SET SCREWS TO ENSURE THE VERTICAL SUPPORT IS STRAIGHT.
11. DRAIN BYPASS INSERT CAN BE INSTALLED IN RIGHT, LEFT, OR BOTH VERTICAL SUPPORTS OF MODEL 6800.



SECTION VIEW OF INSTALLED 6810W DRAIN BYPASS INSERT

HAWS MODEL 6810: MODEL 6800 WITH MODEL 6810W DRAIN BYPASS INSERT

DRAIN BYPASS INSERT

PAGE 3 OF 3

PAGE 3 OF 3

		1455 KLEPPE LANE SPARKS, NEVADA 89431 (775) 359-4712 FAX (775) 359-7424 E-MAIL: HAWS@HAWS.CO.COM WEBSITE: WWW.HAWS.CO.COM	
		MODEL(S) 6800, 6810, & 6810W UNIVERSAL IN WALL CARRIER SUPPORT	PART NUMBER 0002080019 REVISION 14
ECN: 5877 DRAWN: JJ APPROVED: DHP	REV. ECN: 5877 DATE: 01/09/23 DATE: 02/06/23	BY: JJ CHKD: JJ	SCALE: 1:16 DRAWING TYPE: INSTALLATION SIZE: A SHEET 3 OF 3